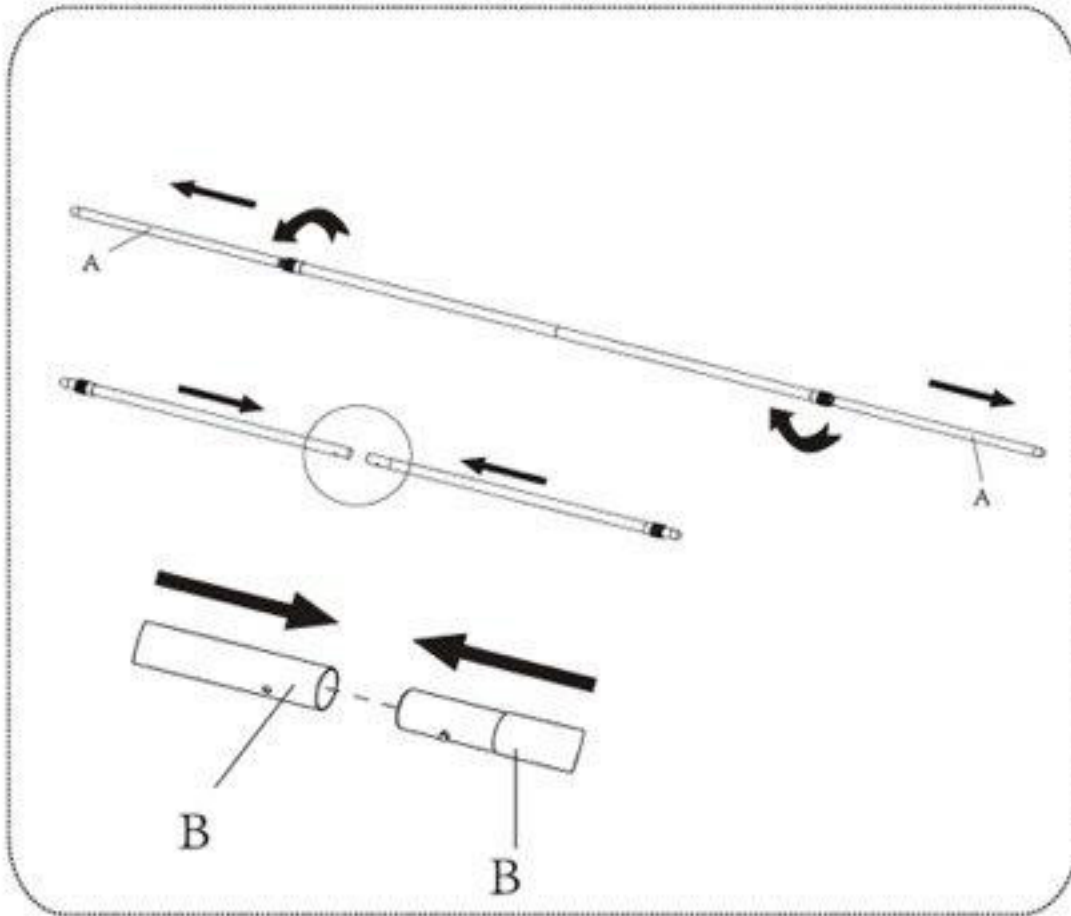
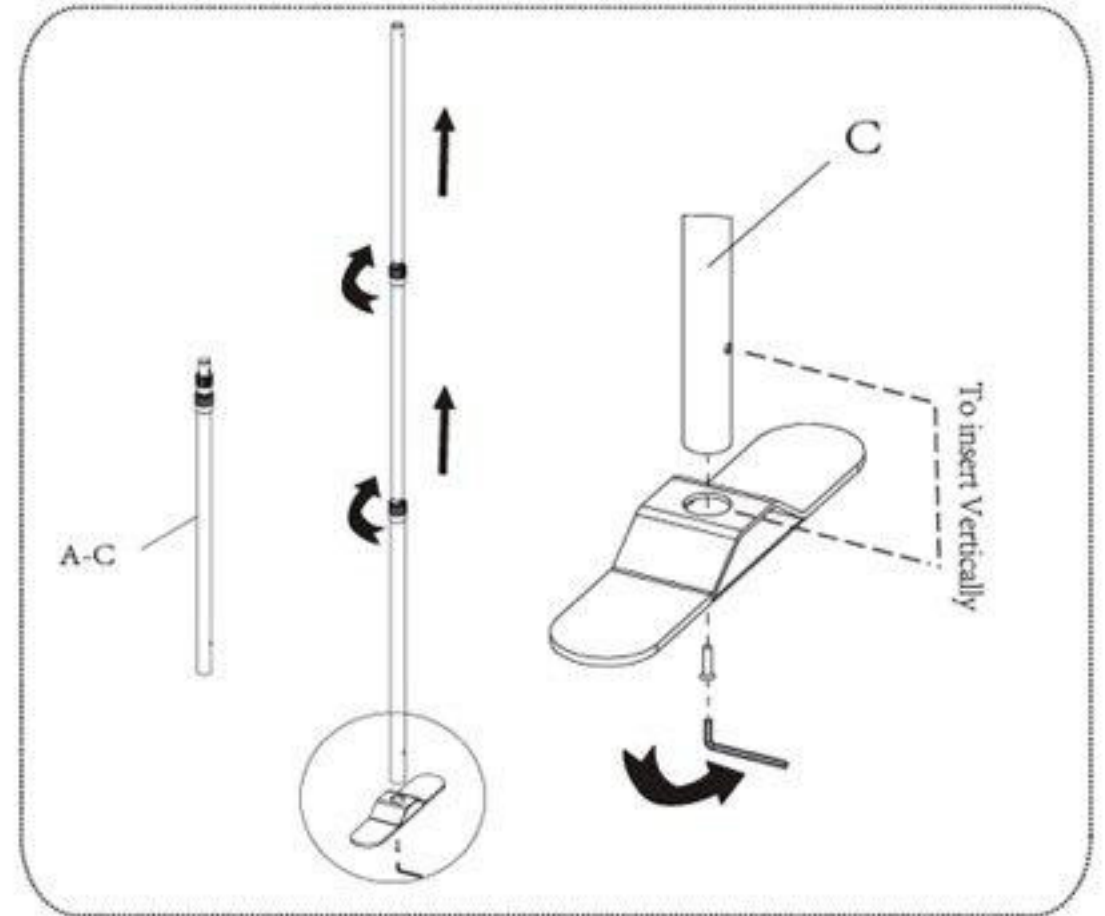




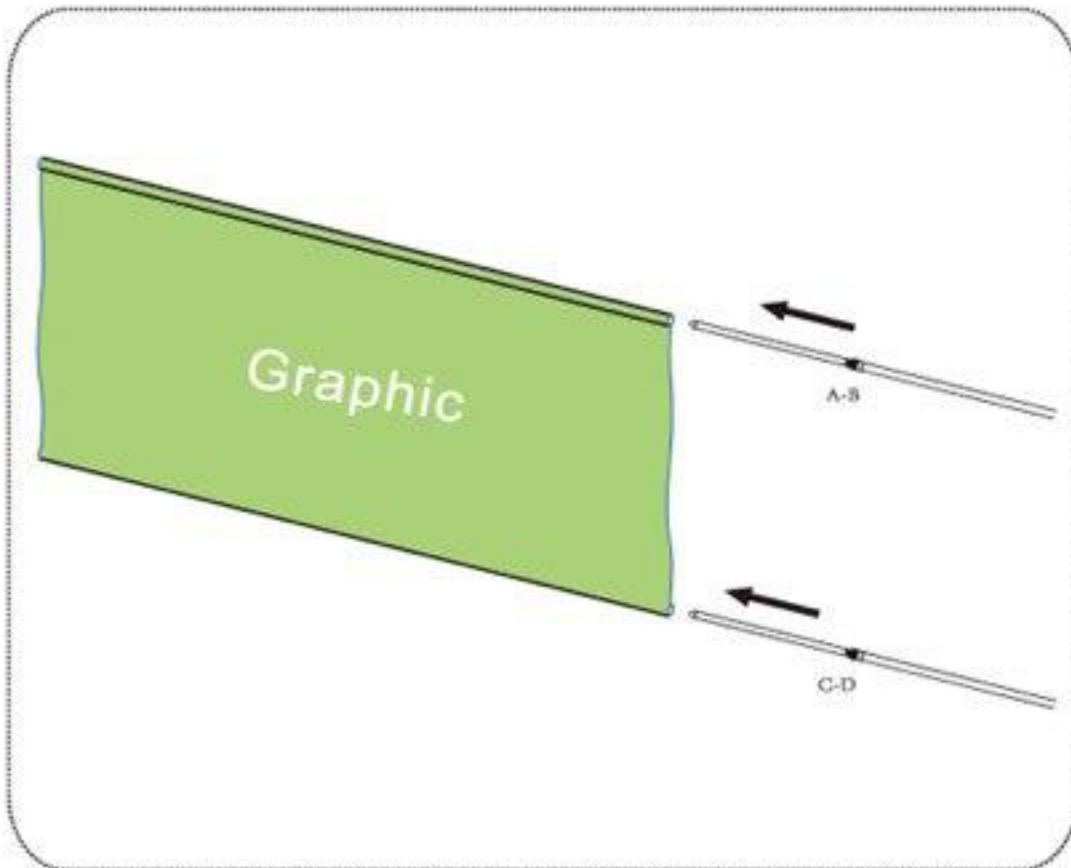
Backdrop Installation Guide



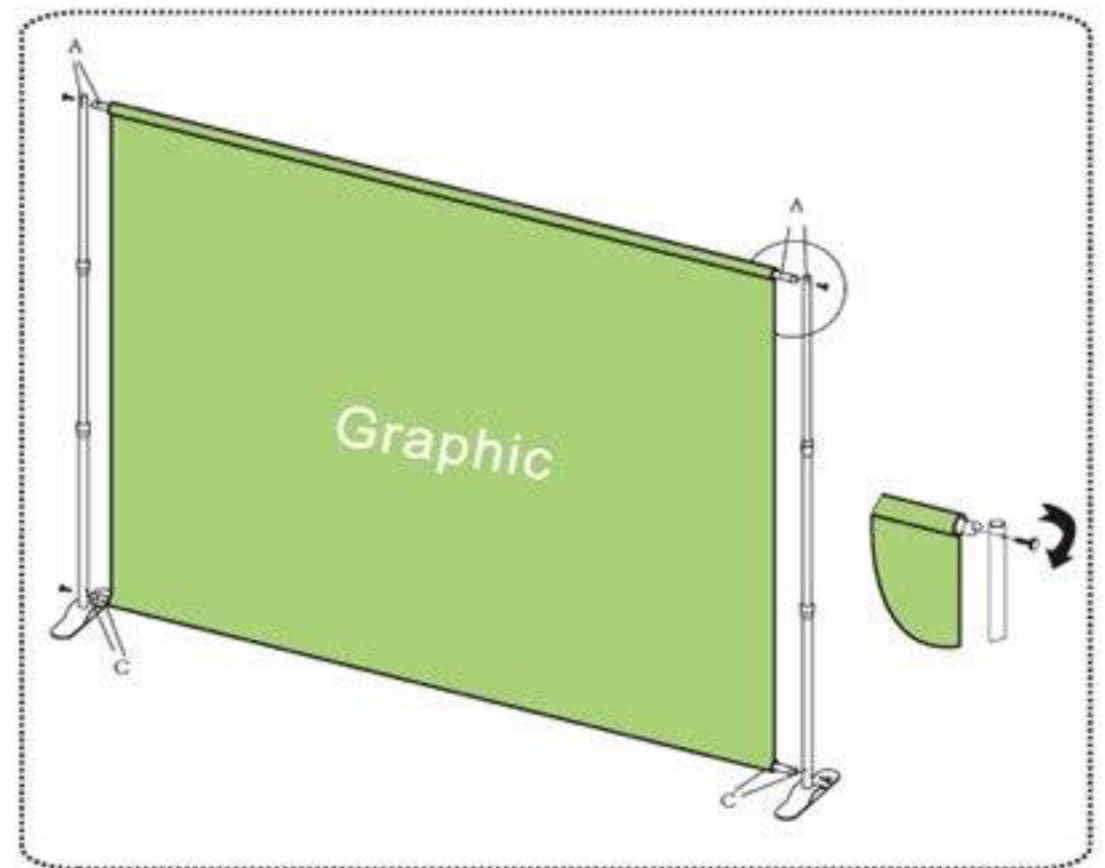
① To connect B-B, pull out pole A to the limited stop then tighten the plastic bolt. Same way to the pole #C-D.



② To insert pole #A-C into the socket of base vertically then tightening; Afterwards, screw off #A-C to the limited stop and screw up the plastic bolt.



③ To put pole #A-B and pole #C-D through the fabric banner hem.



④ To use right number of screw for tightening.

